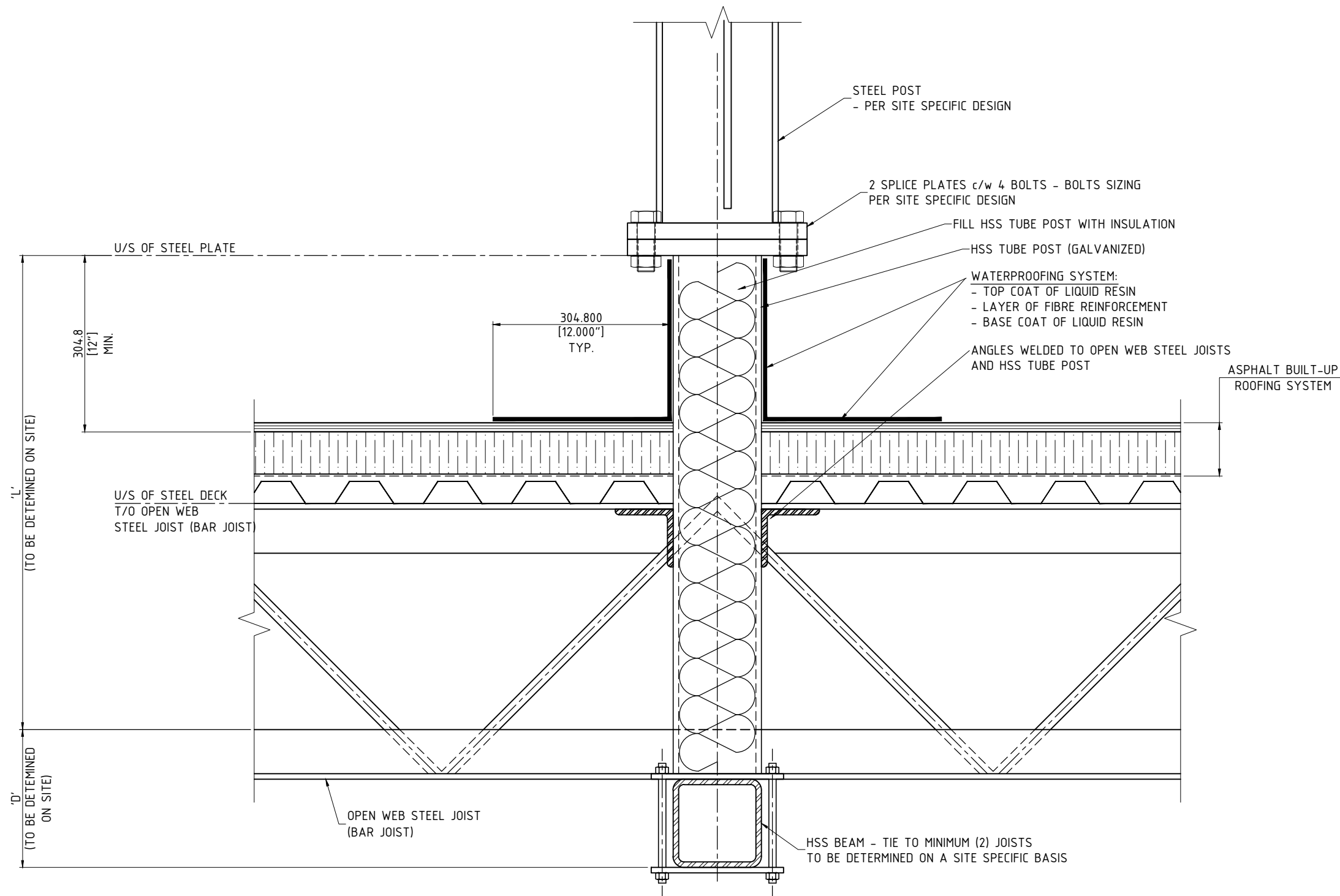


NOTES:

1. DIMENSIONS ARE IN MILLIMETRES [INCHES]



ROOF CONNECTION DETAIL BETWEEN OPEN WEB STEEL JOISTS - OPTION # 1

SCALE: N.T.S.

1	06 MAR 13	CG	RE-ISSUED AS STANDARD
0	10 DEC 12	R.E.	ISSUED AS STANDARD
REV NO.	DATE	BY	DESCRIPTION



CALL TOLL FREE IN NORTH AMERICA
1-866-231-7867
www.ailsoundwalls.com www.ail.ca

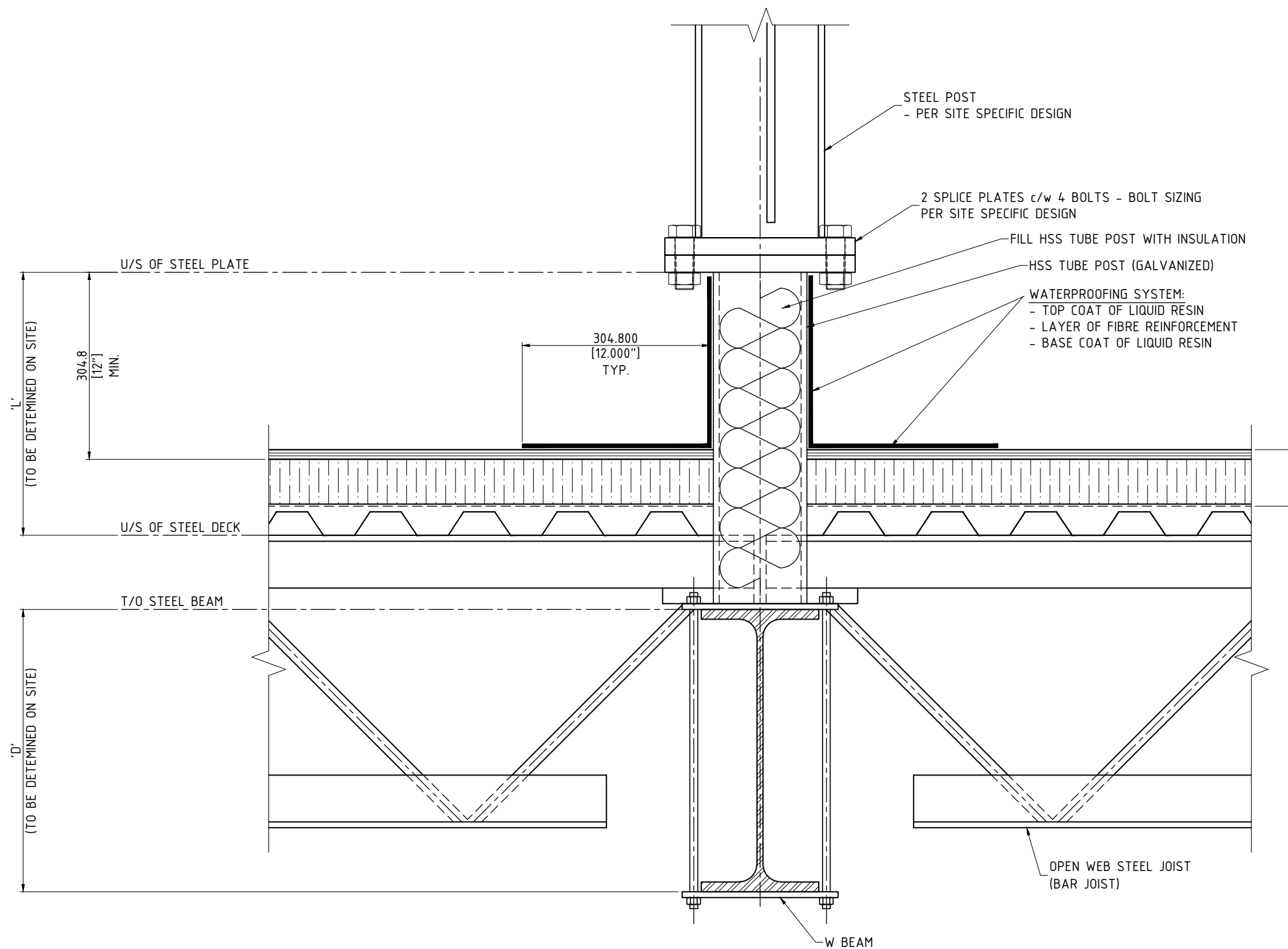
SOUNDWALLS - STANDARD DRAWING

GENERIC ROOF CONNECTION DETAIL - ROOF CONNECTION DETAIL
BETWEEN OPEN WEB STEEL JOISTS - OPTION # 1

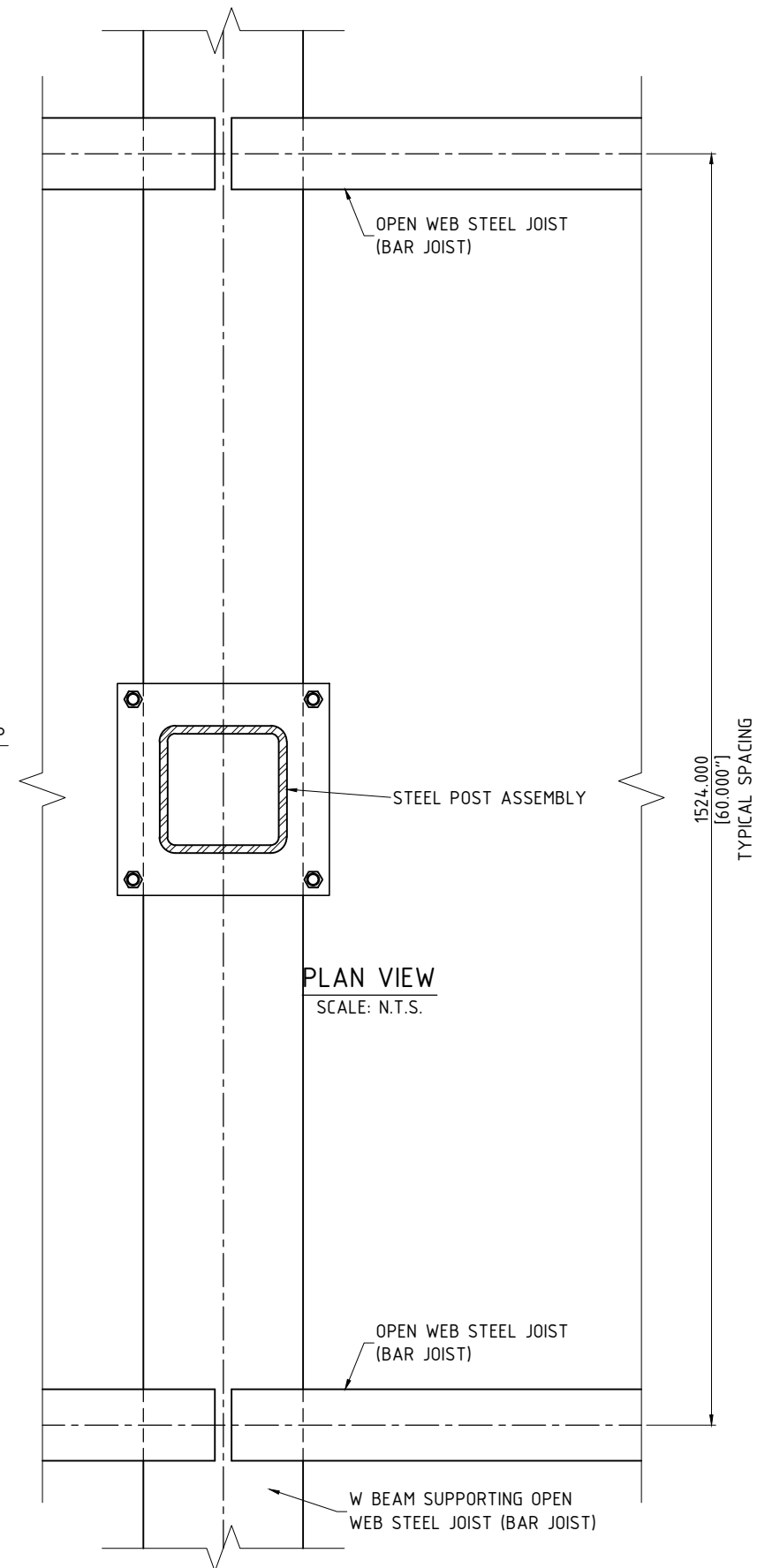
DESIGNED	-	-	BRANCH P.O.	CUSTOMER REF.
DES. CHK	-	-	-	-
DRAWN BY	R.E.	18 OCT 12	PROJECT NUMBER	STD DRAWING
DWG. CHK	P.A.S.	10 DEC 12	DWG. NO.	SW-500
				REV 1

NOTES:

1. DIMENSIONS ARE IN MILLIMETRES (INCHES)



ROOF CONNECTION DETAIL AT W BEAM - OPTION #1
SCALE: N.T.S.



PLAN VIEW
SCALE: N.T.S.

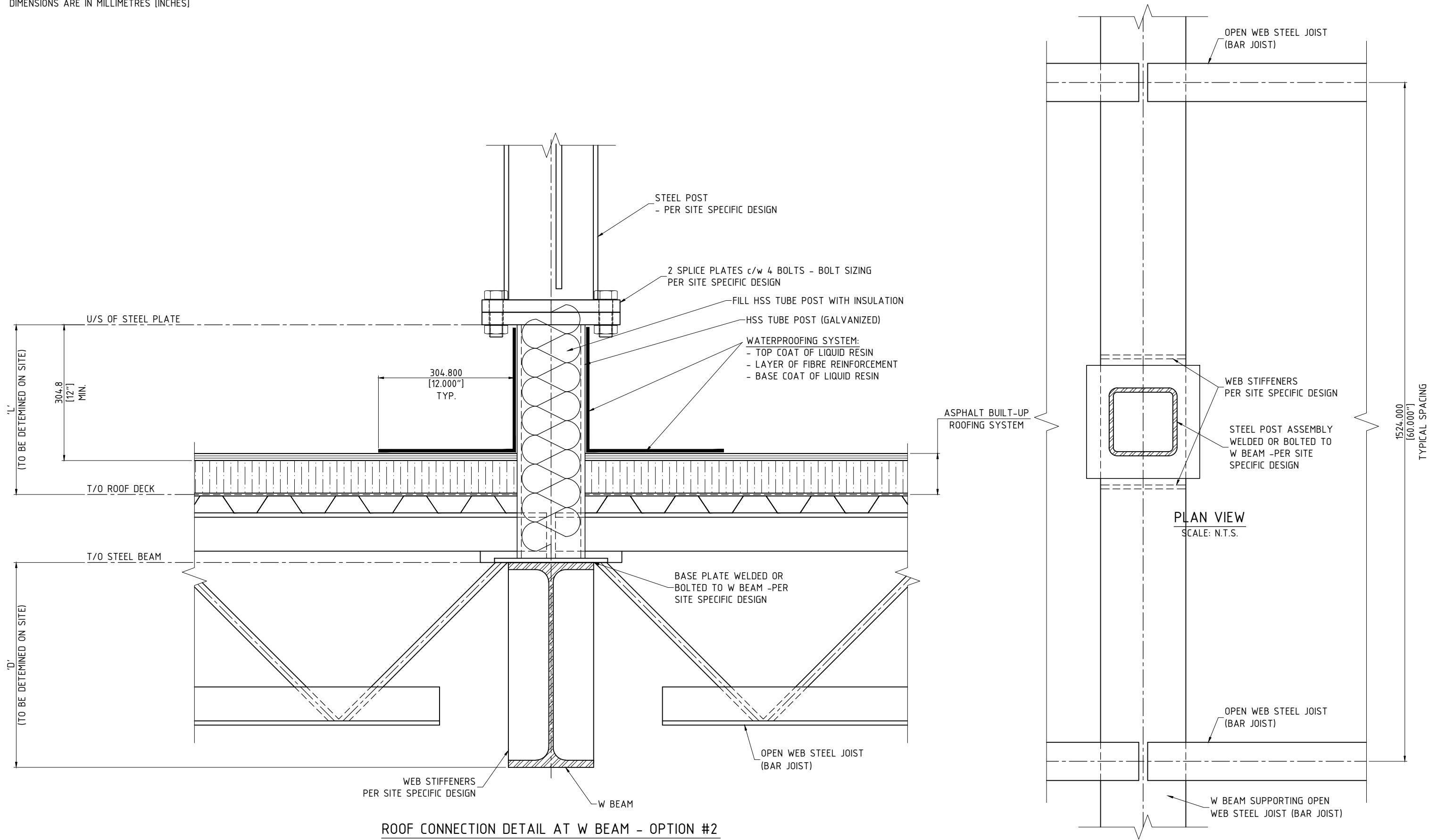
2	08 APR 13	CG	RE-ISSUED AS STANDARD
1	06 MAR 13	CG	RE-ISSUED AS STANDARD
0	10 DEC 12	R.E.	ISSUED AS STANDARD
REV NO.	DATE	BY	DESCRIPTION

AIL SOUNDWALLS CALL TOLL FREE IN NORTH AMERICA
1-866-231-7867
www.ailsoundwalls.com www.ail.ca

SOUNDWALLS - STANDARD DRAWING
GENERIC ROOF CONNECTION DETAIL
- ROOF CONNECTION DETAIL AT W BEAM - OPTION #1

DESIGNED	-	-	BRANCH P.O.	CUSTOMER REF.
DES. CHK	-	-	-	-
DRAWN BY	R.E.	18 OCT 12	PROJECT NUMBER	STD DRAWING
DWG. CHK	P.A.S.	10 DEC 12	DWG. NO.	SW-510
			REV. NO.	2

NOTES:
 1. DIMENSIONS ARE IN MILLIMETRES (INCHES)



ROOF CONNECTION DETAIL AT W BEAM - OPTION #2
 SCALE: N.T.S.

2	08 APR 13	CG	RE-ISSUED AS STANDARD
1	06 MAR 13	CG	RE-ISSUED AS STANDARD
0	10 DEC 12	R.E.	ISSUED AS STANDARD
REV. NO.	DATE	BY	DESCRIPTION



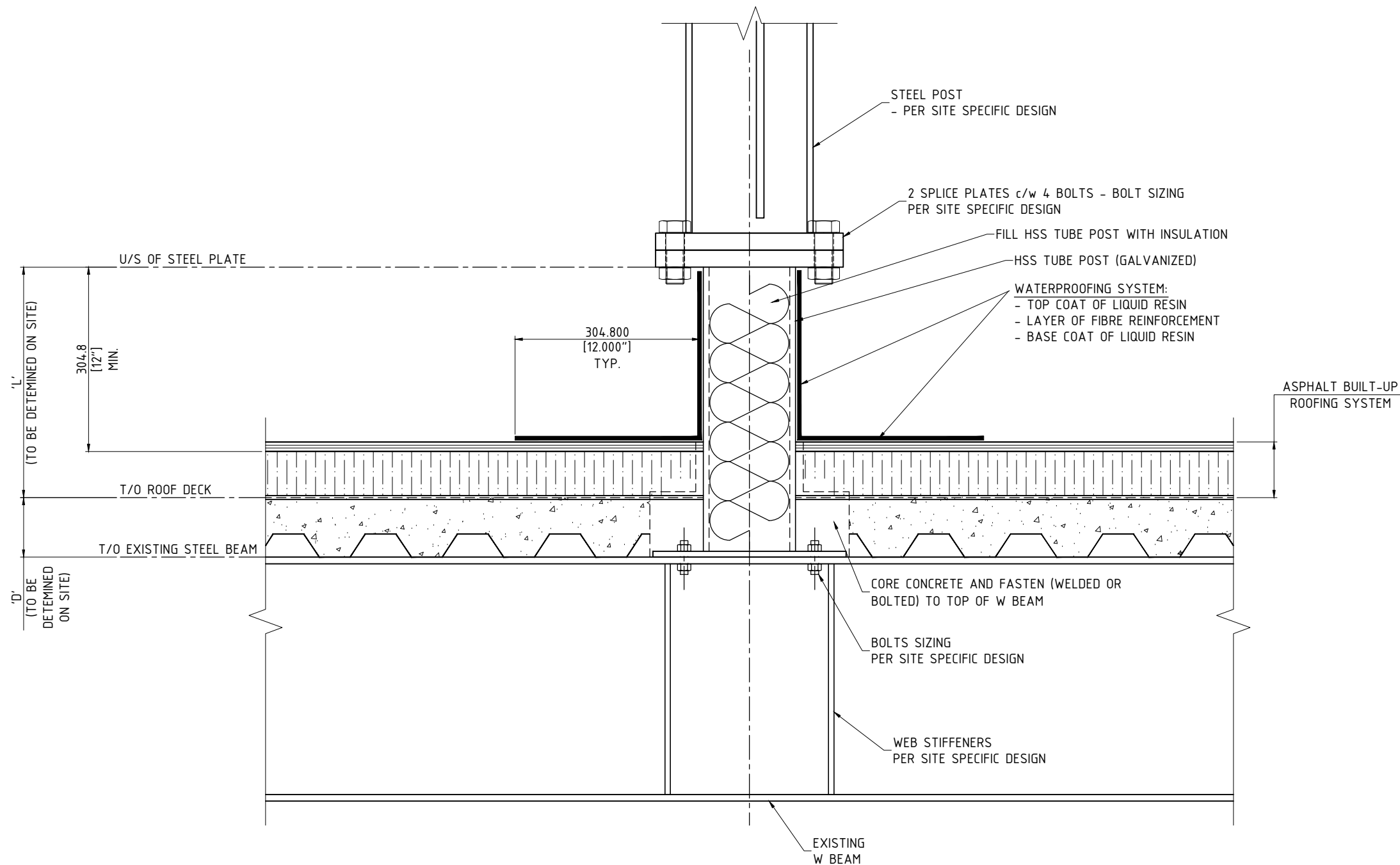
CALL TOLL FREE IN NORTH AMERICA
 1-866-231-7867
 www.ailsoundwalls.com www.ail.ca

SOUNDWALLS - STANDARD DRAWING
 GENERIC ROOF CONNECTION DETAIL
 - ROOF CONNECTION DETAIL AT W BEAM - OPTION #2

DESIGNED	-	-	BRANCH P.O.	CUSTOMER REF.
DES. CHK	-	-	-	-
DRAWN BY	R.E.	18 OCT 12	PROJECT NUMBER	STD DRAWING
DWG. CHK	P.A.S.	10 DEC 12	DWG. NO.	SW-520
			REV. NO.	2

NOTES:

1. DIMENSIONS ARE IN MILLIMETRES (INCHES)



ROOF CONNECTION DETAIL AT COMPOSITE ROOF DECK
SCALE: N.T.S.

REV. NO.	DATE	BY	DESCRIPTION
1	06 MAR 13	CG	RE-ISSUED AS STANDARD
0	10 DEC 12	R.E.	ISSUED AS STANDARD



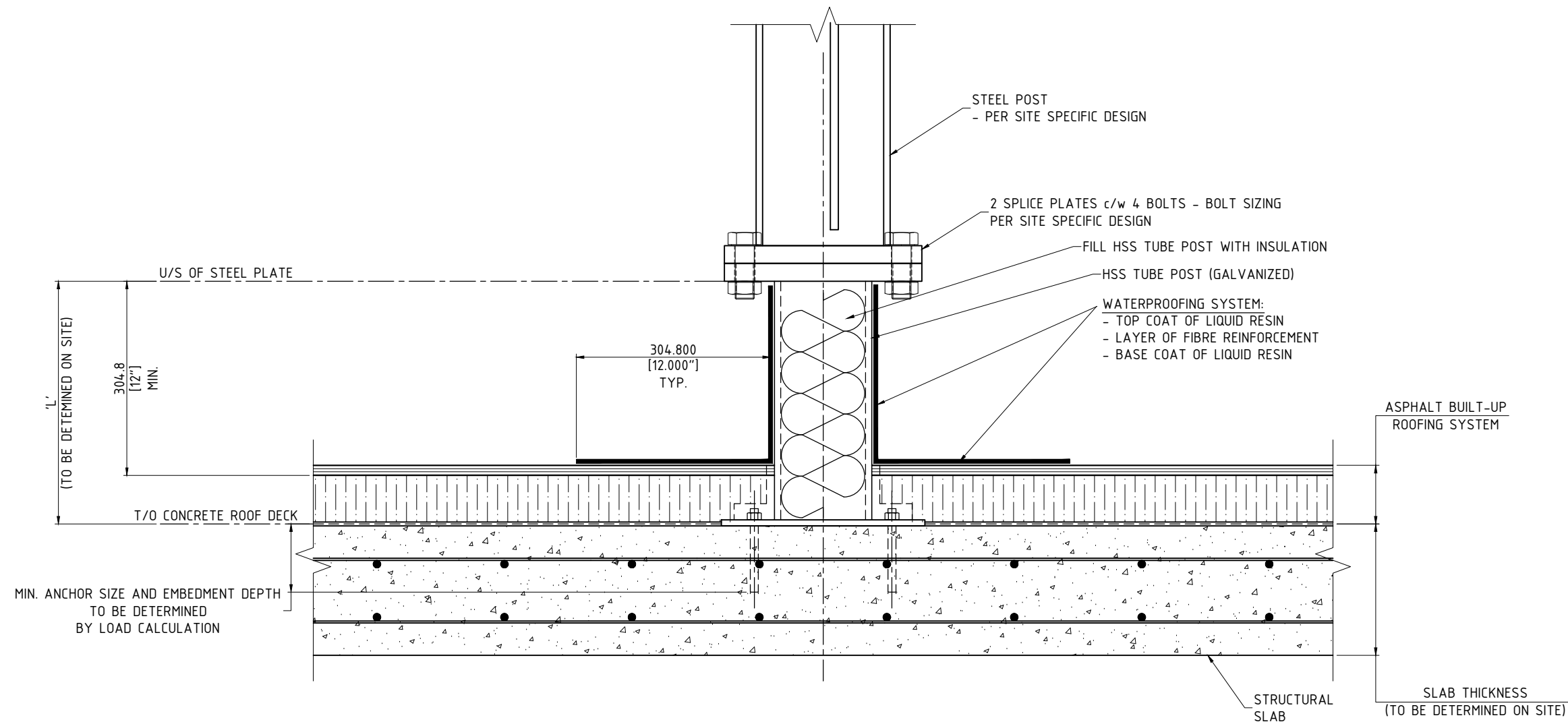
CALL TOLL FREE IN NORTH AMERICA
1-866-231-7867
www.ailsoundwalls.com www.ail.ca

SOUNDWALLS - STANDARD DRAWING
GENERIC ROOF CONNECTION DETAIL
- ROOF CONNECTION DETAIL AT COMPOSITE ROOF DECK

DESIGNED	-	-	BRANCH P.O.	CUSTOMER REF.
DES. CHK	-	-	-	-
DRAWN BY	R.E.	18 OCT 12	PROJECT NUMBER	STD DRAWING
DWG. CHK	P.A.S.	10 DEC 12	DWG. NO.	SW-530
				REV. 1

NOTES:

1. DIMENSIONS ARE IN MILLIMETRES [INCHES]



ROOF CONNECTION DETAIL AT CONCRETE ROOF DECK

SCALE: N.T.S.

REV NO.	DATE	BY	DESCRIPTION
1	06 MAR 13	CG	RE-ISSUED AS STANDARD
0	10 DEC 12	R.E.	ISSUED AS STANDARD



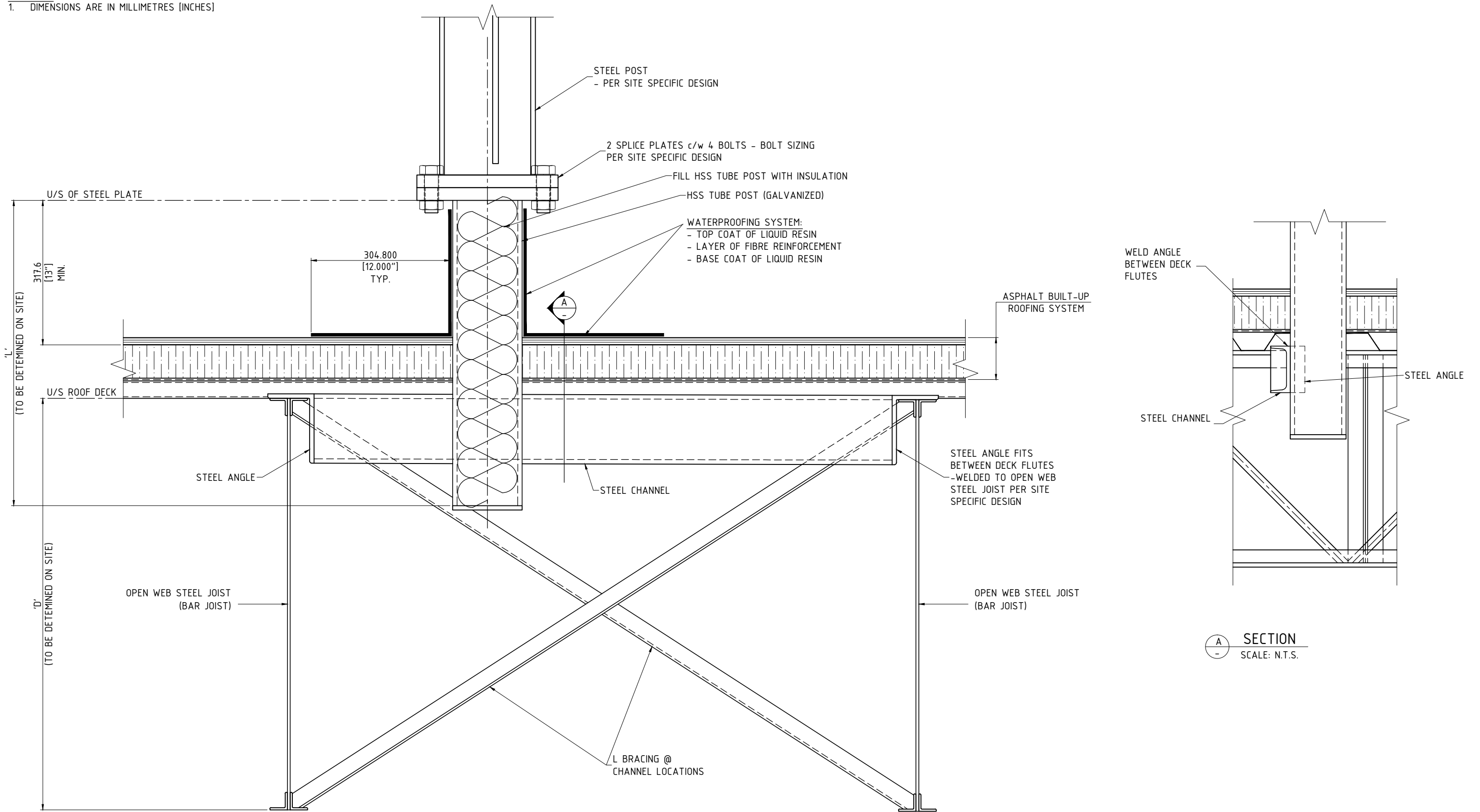
CALL TOLL FREE IN NORTH AMERICA
1-866-231-7867
www.ailsoundwalls.com www.ail.ca

SOUNDWALLS - STANDARD DRAWING
GENERIC ROOF CONNECTION DETAIL
- ROOF CONNECTION DETAIL AT CONCRETE ROOF DECK

DESIGNED	-	-	BRANCH P.O.	CUSTOMER REF.
DES. CHK	-	-	-	-
DRAWN BY	R.E.	18 OCT 12	PROJECT NUMBER	STD DRAWING
DWG. CHK	P.A.S.	10 DEC 12	DWG. NO.	SW-540
				REV. 1

NOTES:

1. DIMENSIONS ARE IN MILLIMETRES [INCHES]



ROOF CONNECTION DETAIL PARALLEL TO OPEN WEB STEEL JOIST
SCALE: N.T.S.

REV NO.	DATE	BY	DESCRIPTION
2	08 APR 13	CG	RE-ISSUED AS STANDARD
1	06 MAR 13	CG	RE-ISSUED AS STANDARD
0	10 DEC 12	R.E.	ISSUED AS STANDARD



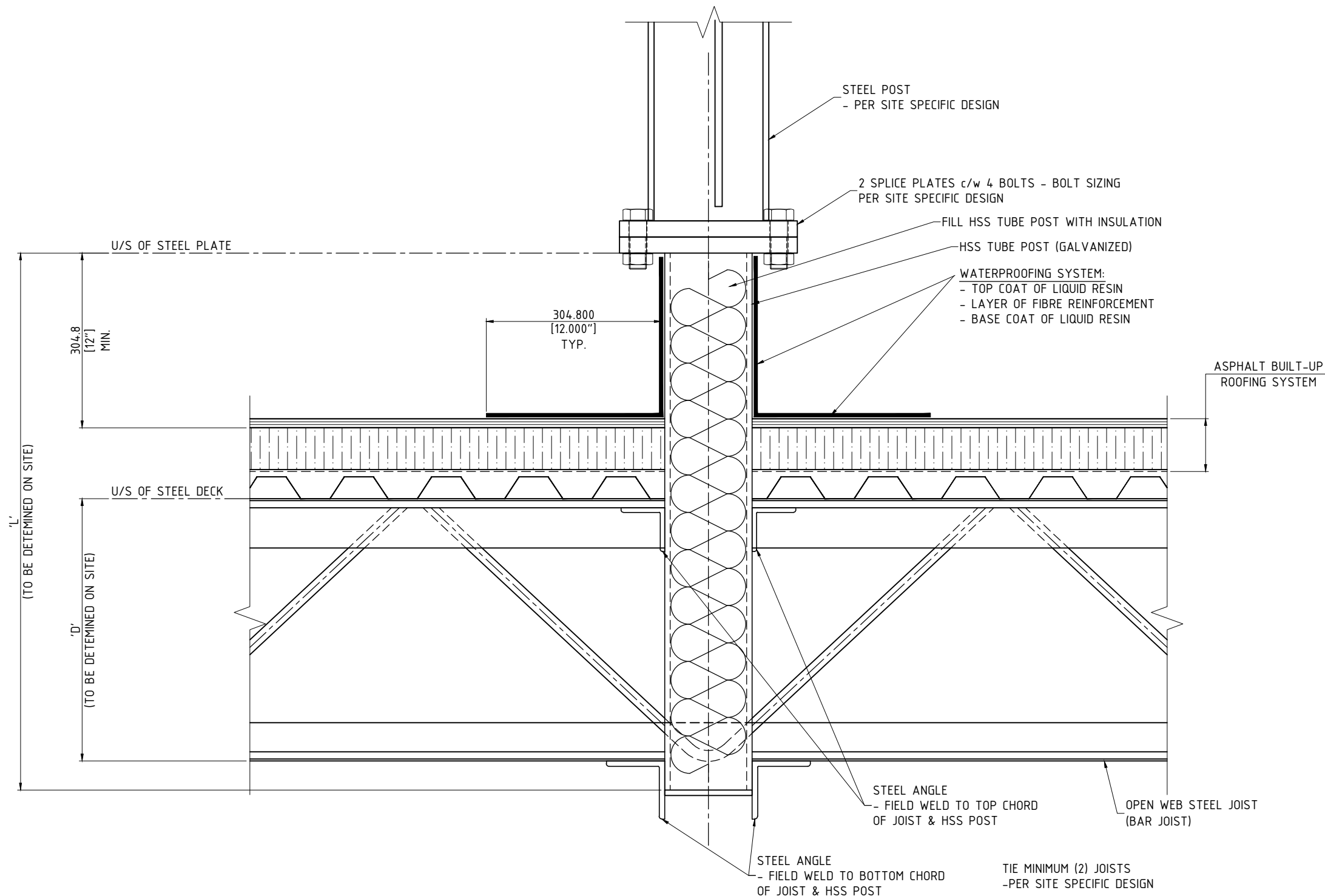
CALL TOLL FREE IN NORTH AMERICA
1-866-231-7867
www.ailsoundwalls.com www.ail.ca

SOUNDWALLS - STANDARD DRAWING
GENERIC ROOF CONNECTION DETAIL
- ROOF CONNECTION DETAIL PARALLEL TO OPEN WEB STEEL JOIST

DESIGNED	-	-	BRANCH P.O.	CUSTOMER REF.
DES. CHK	-	-	-	-
DRAWN BY	R.E.	18 OCT 12	PROJECT NUMBER	STD DRAWING
DWG. CHK	P.A.S.	10 DEC 12	DWG. NO.	SW-550
				2

NOTES:

1. DIMENSIONS ARE IN MILLIMETRES [INCHES]



ROOF CONNECTION PERPENDICULAR TO OPEN WEB STEEL JOIST

SCALE: N.T.S.

REV. NO.	DATE	BY	DESCRIPTION
1	06 MAR 13	CG	RE-ISSUED AS STANDARD
0	10 DEC 12	R.E.	ISSUED AS STANDARD



CALL TOLL FREE IN NORTH AMERICA
1-866-231-7867
www.ailsoundwalls.com www.ail.ca

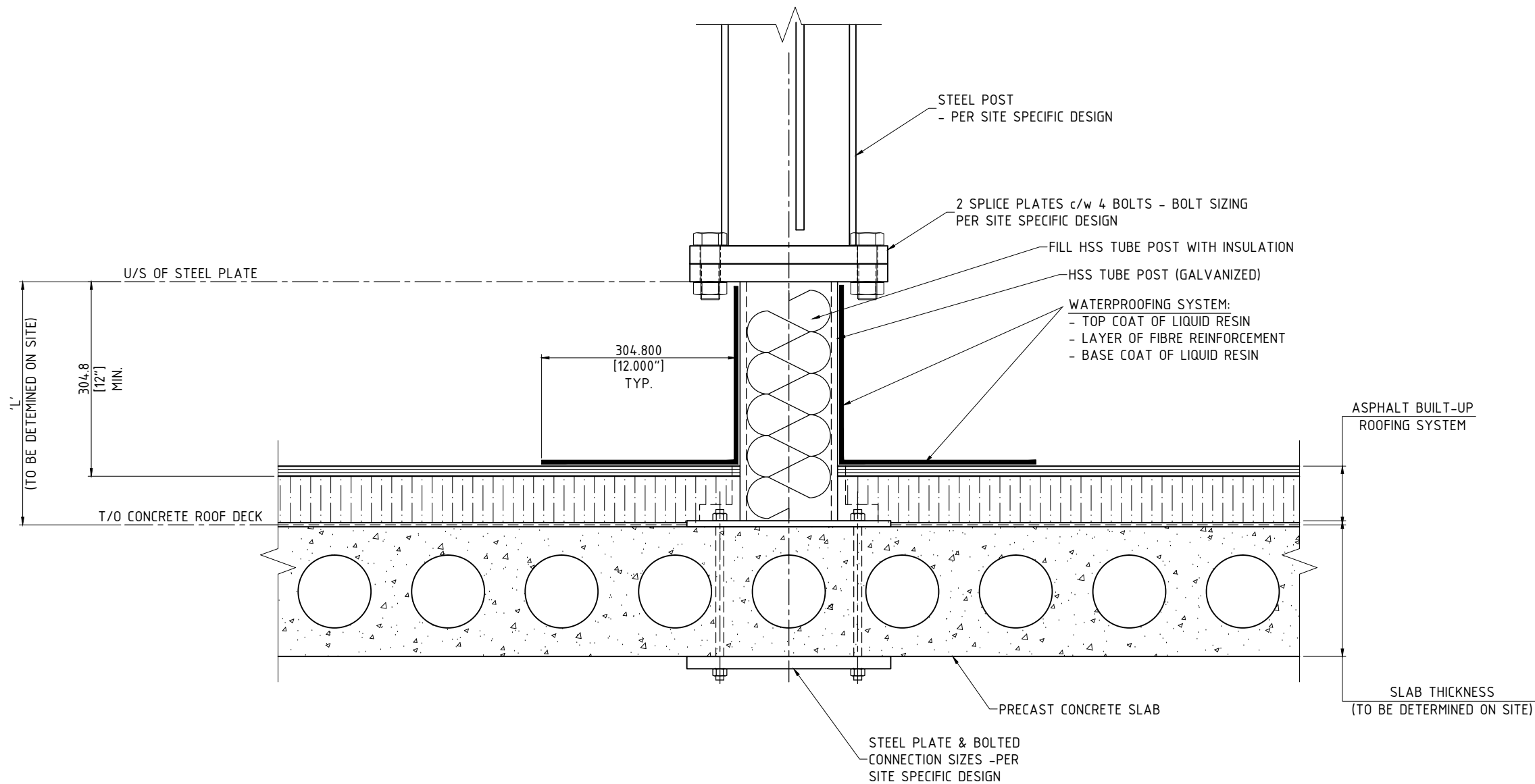
SOUNDWALLS - STANDARD DRAWING

GENERIC ROOF CONNECTION DETAIL
- ROOF CONNECTION DETAIL PERPENDICULAR TO OPEN WEB STEEL JOIST

DESIGNED	-	-	BRANCH P.O.	CUSTOMER REF.
DES. CHK	-	-	-	-
DRAWN BY	R.E.	18 OCT 12	PROJECT NUMBER	STD DRAWING
DWG. CHK	P.A.S.	10 DEC 12	DWG. NO.	SW-560
				REV. 1

NOTES:

1. DIMENSIONS ARE IN MILLIMETRES [INCHES]



ROOF CONNECTION DETAIL AT PRECAST CONCRETE DECK

SCALE: N.T.S.

REV NO.	DATE	BY	DESCRIPTION
1	06 MAR 13	CG	RE-ISSUED AS STANDARD
0	10 DEC 12	R.E.	ISSUED AS STANDARD



CALL TOLL FREE IN NORTH AMERICA
1-866-231-7867
www.ailsoundwalls.com www.ail.ca

SOUNDWALLS - STANDARD DRAWING

GENERIC ROOF CONNECTION DETAIL
- ROOF CONNECTION DETAIL AT PRECAST CONCRETE DECK

DESIGNED	-	-	BRANCH P.O.	CUSTOMER REF.
DES. CHK	-	-	-	-
DRAWN BY	R.E.	18 OCT 12	PROJECT NUMBER	STD DRAWING
DWG. CHK	P.A.S.	10 DEC 12	DWG. NO.	SW-570
			REV. NO.	1